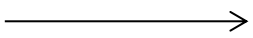


ScreenSafe

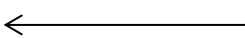


High Security
Simple To Use
Easy Installation
Cost Effective
Modular Design

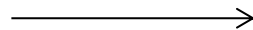
Choose enclosure size



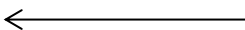
7"-8.9", 9"-11", 12"-13"



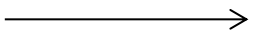
Choose view angle



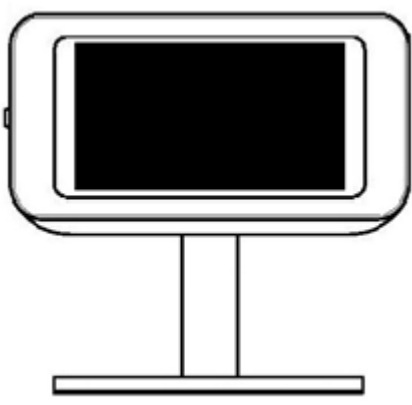
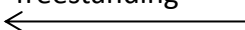
30°, 45°, 60°, 90°, Flex, Floor



Choose how to mount



Desk, Wall, Floor, screw fixing or freestanding



Wall screw fixing



Desk/wall screw fixing



Desk rotate



Flexible



Desk free-standing



Floor screw fixing

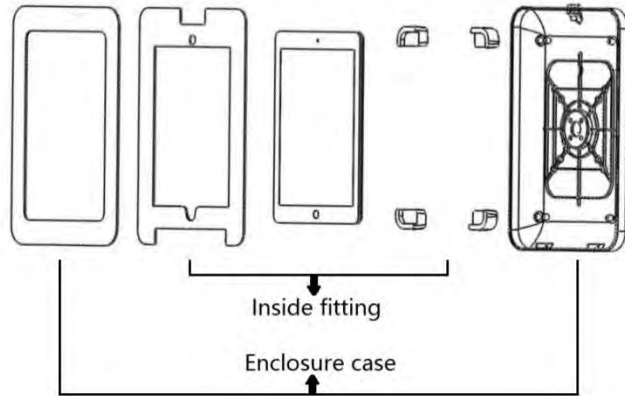


Floor free-standing

ONE ENCLOSURE FOR ALL

The Screensafe security enclosure is compatible with different tablets. The enclosure consists of 2 parts:

- Enclosure case
- Inside fitting



The enclosure case consists of a Front Cover and a back cover with a locking mechanism. There are 3 sizes of enclosure cases.



7"-8.9"



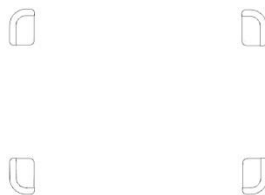
9"-11"



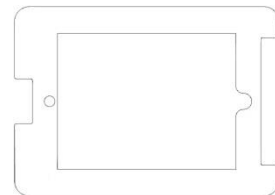
12"-13"

The inside fitting system consists of a fit-kit and a face insert cover:

1. Fit-kit: 4 pieces mat to hold the tablet in place inside the enclosure case.
2. Face plate: 1 piece of Plastic with the home button and front camera is exposed or covered to the user



Fit kit



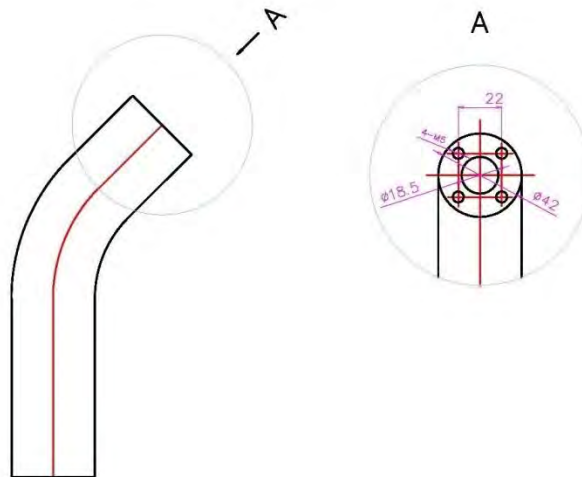
Face plate

VARIOUS MOUNTING TUBE

Screensafe mounting tubes have different angles of 30°, 45°, 60° and 90°, there is also a flexible tube which can be positioned at any angle. The mounting tubes can be fixed to the wall, desk or the floor or free standing using a mounting base.



The mounting tubes are designed to have the charge cable hidden inside, the cable is protected and the whole kiosk is clean looking and professional.



VARIOUS MOUNTING BASES



Desk/wall Screw Fixing Base



Desk Freestanding Base



Desk Rotate Base

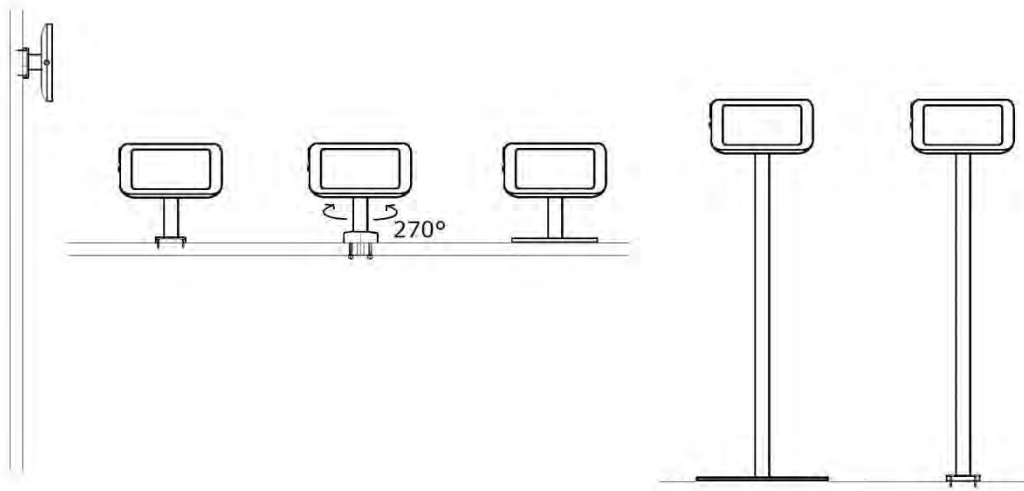


Floor Freestanding Base



Floor Screw Fixing Base

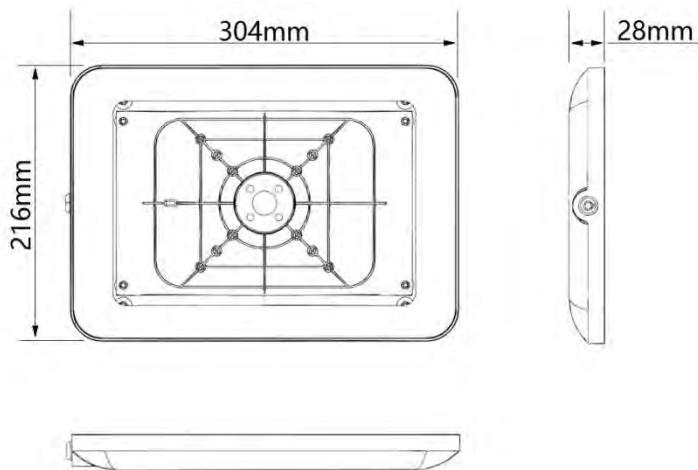
Screensafe has various types of mounting base. There are desk, wall and floor fixed bases as well as rotate bases and free-standing bases.



Screensafe for 9" - 11" Tablets



Screensafe enclosure is compatible with different tablets 9"-11" in size, it uses various fit-kits to adapt to different types of tablet and face plates to determine if the user has access to the camera and home buttons.



Material

- Front Cover
- Back Cover
- Fit-Kit
- Face Insert

Steel Powder Coat
ABS
TPE
Acrylic

Configuration

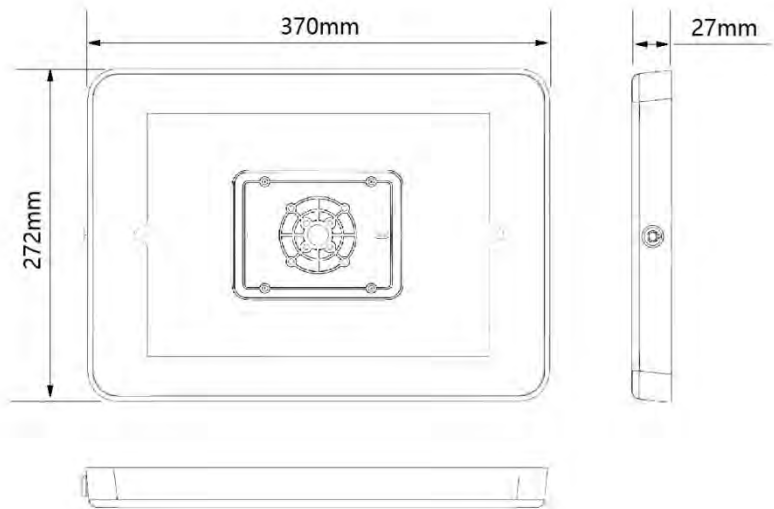
- Lock
- 3rd Party Security
- 3rd Party Connection

Push lock with keys
Kensington Lock Slot
50mm VESA holes

Screensafe for 12" - 13" Tablets



Screensafe enclosure is compatible with different tablets 12"-13" in size, it uses various fit-kits to adapt to different types of tablet and metal front covers to determine if the user has access to the camera and home buttons.



Material

- | | |
|---------------|-------------------|
| • Front Cover | Steel Powder Coat |
| • Back Cover | ABS |
| • Fit-Kit | TPE |
| • Face Insert | N/A |

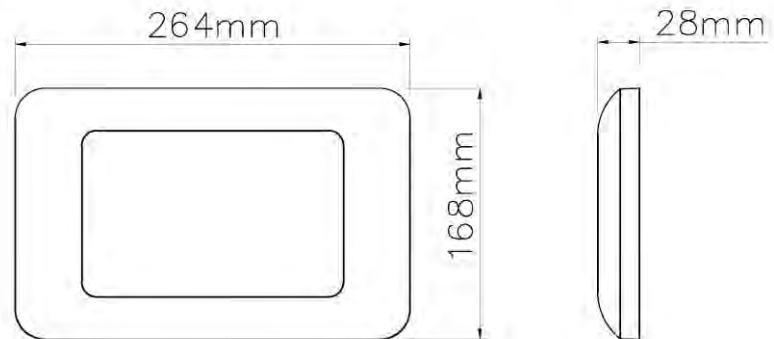
Configuration

- | | |
|------------------------|----------------------|
| • Lock | Push lock with keys |
| • 3rd Party Security | Kensington Lock Slot |
| • 3rd Party Connection | 50mm VESA holes |

Screensafe for 7" - 8.9" Tablets



Screensafe enclosure is compatible with different tablets 7"-8.9" in size, it uses various fit-kits to adapt to different types of tablet and face plates to determine if the user has access to the camera and home buttons.



Material

- | | |
|---|--|
| <ul style="list-style-type: none"> • Front Cover • Back Cover • Fit-Kit • Face Insert | <ul style="list-style-type: none"> Steel Powder Coat ABS TPE Acrylic |
|---|--|

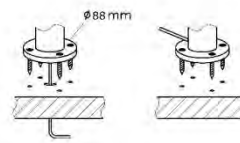
Configuration

- | | |
|--|--|
| <ul style="list-style-type: none"> • Lock • 3rd Party Security • 3rd Party Connection | <ul style="list-style-type: none"> Push lock with keys Kensington Lock Slot 50mm VESA holes |
|--|--|

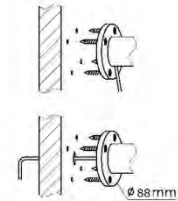
DESK TYPE SCREENSAFE FIXED BASE



The fixed base Screensafe uses aluminium shaped tubes and screw fixings to mount the tablet enclosure to a desk top or wall.



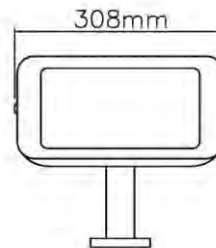
Desk mount



Wall mount

Configuration

- All Screensafe Types
- 30°, 45° and 60° Mounting Tubes
- Optional Charge Cable
- Optional Landscape/Portrait Switch



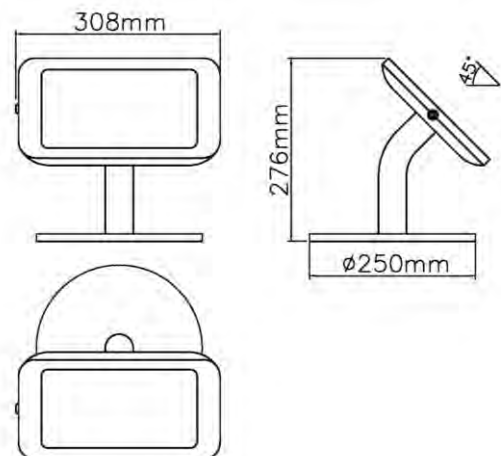
DESK TYPE SCREENSAFE FREE-STANDING BASE



The Free-Standing base allows the Screensafe to work freely on a desk top without drilling holes. The base is 250mm in diameter and is made out of steel and powder coated. It is supplied with a rubber cover to ensure that the kiosk remains stable on smooth surfaces such as marble, glass or steel.

Configuration

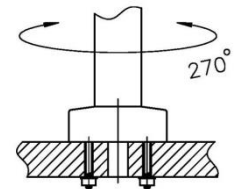
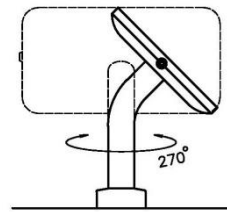
- All Screensafe Types
- 30°, 45° and 60° Mounting Tubes
- Optional Charge Cable
- Optional Landscape/Portrait Switch



DESK TYPE SCREENSAFE ROTATE BASE

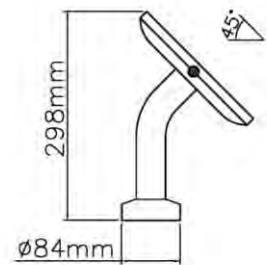
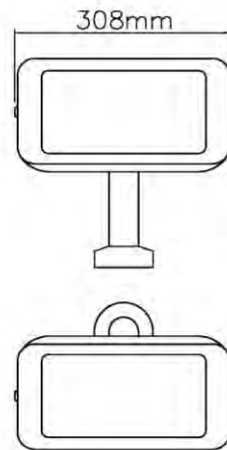


The rotate base allows the Screensafe to rotate from one side to another by 270° and allows multiple users to share the tablet.



Configuration

- All Screensafe Types
- 30°, 45° and 60° Mounting Tubes
- 270° Rotate base
- Optional Charge Cable
- Optional Landscape/Portrait Switch

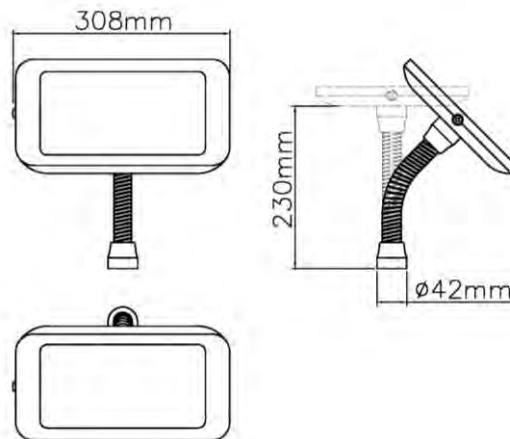


DESK TYPE SCREENSAFE FLEXI-MOUNT BASE

The Flexi-tube mount allows the user to adjust the view angle freely and can be set at any angle , it also allows the enclosure to be converted from landscape to portrait mode. The charge cable is passed through the aluminium mounting tube keeping the display clean looking and professional

Configuration

- All Screensafe Types
- Flexible Mounting Tube
- Optional Charge Cable



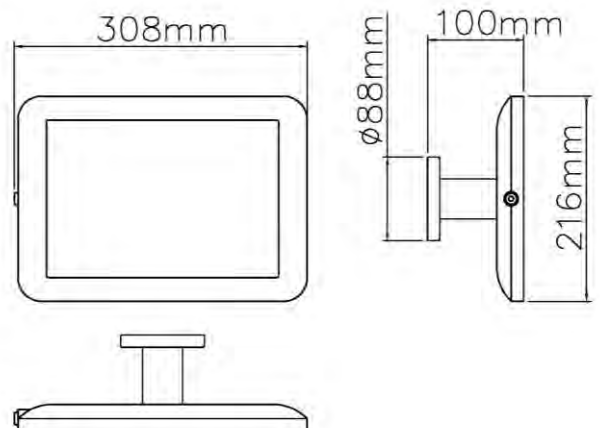
DESK TYPE SCREENSAFE WALL MOUNT



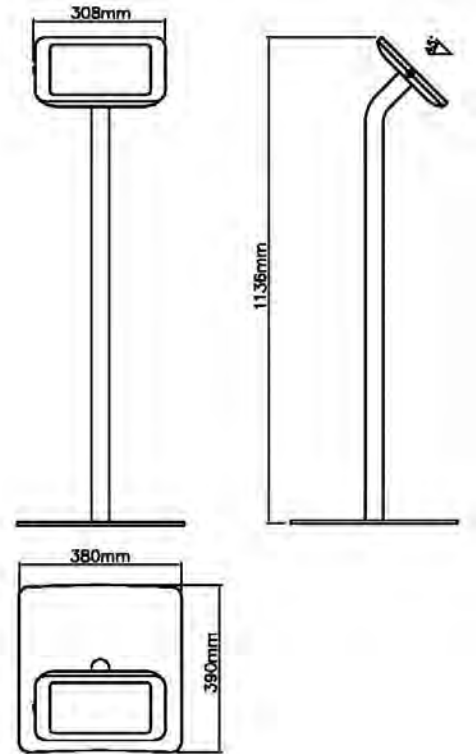
The Wall mount ensures maximum use of space by attaching the Screensafe to a wall surface, it can be set at other angles using different mounting tubes.

Configuration

- All Screensafe Types
- 30°, 45°, 60° and 90° Mounting Tubes
- Optional Charge Cable
- Optional Landscape/Portrait Switch



FLOOR TYPE SCREENSAFE FREE-STANDING BASE

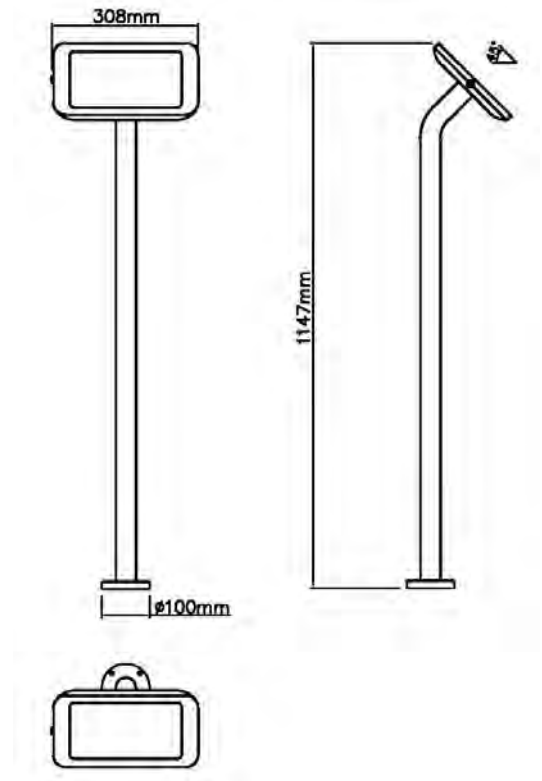


Configuration

- All Screensafe Types
- Floor standing Mounting Tube
- Optional Charge Cable
- Optional Landscape/Portrait Switch

The Floor standing base allows the Screensafe to freely stand on the floor, the mounting tube is made from strong and light weight magnesium-aluminium and the base is made from heavy weight steel and powder coated.

FLOOR TYPE SCREENSAFE FIXED BASE

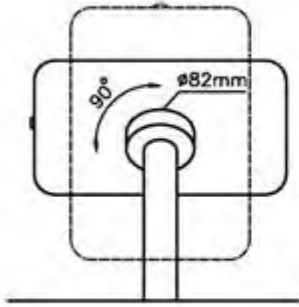


Configuration

- All Screensafe Types
- Floor standing Mounting Tube
- Optional Charge Cable
- Optional Landscape/Portrait Switch

The Floor standing fixed base allows the Screensafe to be screwed down to the floor, the mounting tube is made from strong and light weight magnesium-aluminium

LANDSCAPE/PORTRAIT SWITCH UNIT



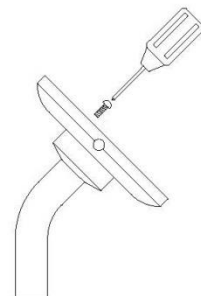
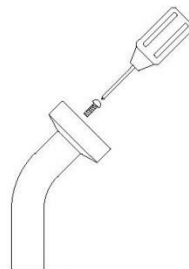
The Landscape/Portrait switch unit allows the enclosure to rotate 90° which allows the tablet to freely move between landscape and portrait modes.



Easy Installation

Step 1: Fix LPS to mounting tube

Step 2: Fix enclosure to LPS



FIT-KIT & FACE PLATE TABLE

Fit-Kits and Face plates are currently available for the following models

For 9"-11"

- iPad 2/3/4
- iPad Air
- iPad Air 2
- iPad Pro 9.7"
- iPad Pro 10.5"
- Galaxy Tab 3 10.1"
- Galaxy Tab 4 10.1"
- Galaxy Tab A 9.7"
- Galaxy Tab S2 9.7"
- Galaxy Tab A 10.1"
- Galaxy Tab E 9.6"
- Surface 3 10.8"
- Lenovo Tab 2 A10-70F
- Lenovo Tab 2 A10-30
- Lenovo Tab 4 10.1

For 7"-9"

- iPad Mini 2/3
- iPad Mini 4
- Galaxy Tab 3 8.0"
- Galaxy Tab 4 7.0"
- Galaxy Tab A 7.0"
- Galaxy Tab A 8.0"

For 11"-13"

- iPad Pro 12.9"
- Surface Pro 4 12.2"

MOUNTING TUBES



Description



The tablet sits at 30°, for use on a normal platform



The tablet sits at 45°, for use on a normal platform



The tablet sits at 60°, for use on a raised platform



The tablet can be viewed at any angle.



Description



The tablet sits at 30°, for use on a low wall height.



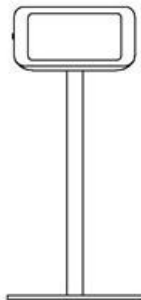
The tablet sits at 45°, for use on a normal wall height



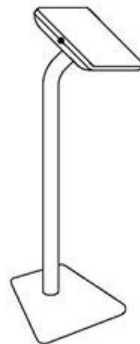
The tablet sits at 60°, for use on a high wall height



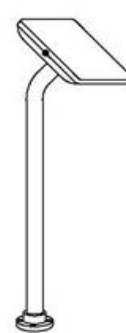
The tablet sits at 90° for eye level height



Description



Tablet Stand sits on floor.



Tablet Stand screws down to floor.



MYRIAD

Myriad Technologies Ltd
Unit 14 Apollo Office Park, Ironstone Lane
Wroxton
Oxfordshire, OX15 6AY
United Kingdom

Tel: + 44 (0) 2476 665411
www.myriadtec.com